



ALL IN ONE SOLAR STREET LIGHT

Lights Up

365

Days



13 YEARS

Most Professional Manufacture

Email: sale@osmoledlighting.com
Wechat/WhatsApp: +86-18676166468
www.osmoledlighting.com

PRODUCT SPECIFICATIONS



Motion Sensor

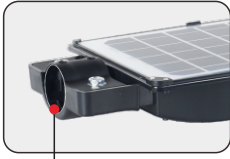


Lithium Battery



12 Hrs/Day
150 LM/W

Light Pole Diameter



ø52



80W



60W



50W



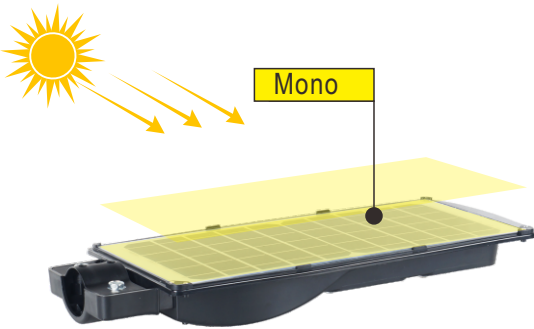
40W



20W



Solar Charge Controller



Mono panel



Pole install



Wall install



Switch



Chip



Model					
Power W	20W	40W	50W	60W	80W
Solar panel	7W 6V	10W 6V	12W/10V	14W 6V	20W/10V
Battery	5Ah 3.2V	10Ah 3.2V	12Ah/3.2v	12Ah 3.2V	18Ah/3.2V
CCT K	3000-6000K				
Beam angle	120°				
Chip	120lm/W				
N.W kg	16	15.5	19.7	20	27
G.W KG	17.5	18	21	21.5	28.5
Dimension mm	365*190*60	470*195*60	500*230*70	605*200*60	630*250*70
Outside box size mm	510*370*405 /16PCS	480*330*415 /10PCS	500*395*525/10PCS	615*265*420 /8PCS	530*420*650/10PCS
Application	villa,school,country,countryside,rural area,community,rural community vilages and towns				

HOW THE SOLAR LIGHT WORKS:

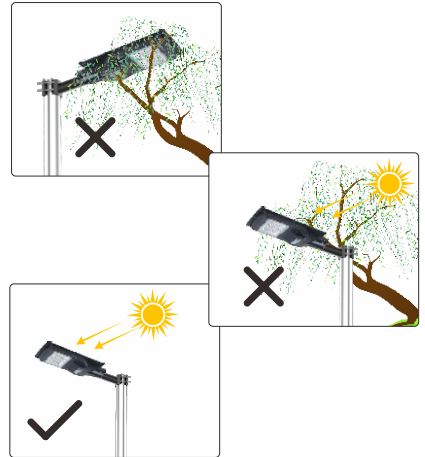
During the daytime, the solar panel converts sun power into electricity and charging the battery. At night, the light turn on automatically using the electricity stored in the battery.

PRECAUTION:

Please install in a sunny place where it can receive direct sunlight for at least 6~8 hours each day , avoid installation near a tree which creates overcast on solar panel, or it will affects the charging effect. Any shadow or overcast on solar panel during the day impact the effective charging of battery. Then the brightness will be changed when battery power is low. The selected locations should not be near lights, otherwise maybe cause the solar light to turn off prematurely.

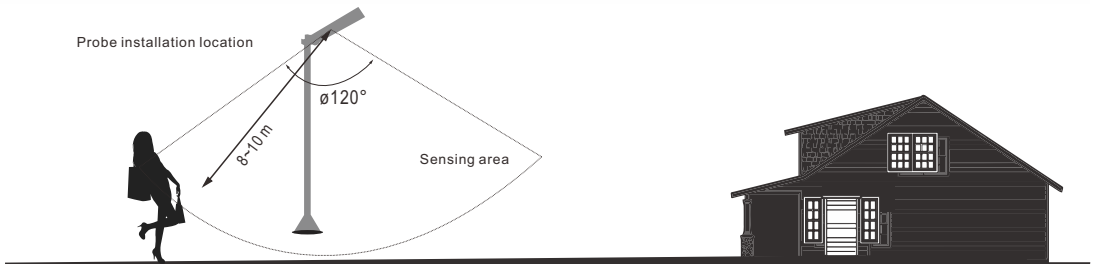
ATTENTION FOR THE USE OF THE FIRST TIME:

When you get the solar light, the battery is only 50%-60% full charge because of shipping. So we suggest you please open the switch and then place the solar light in a location where it can receive a full 6-8 hours of sun power to recharging the battery to reach maximum capacity, and then to install the solar light where you want.



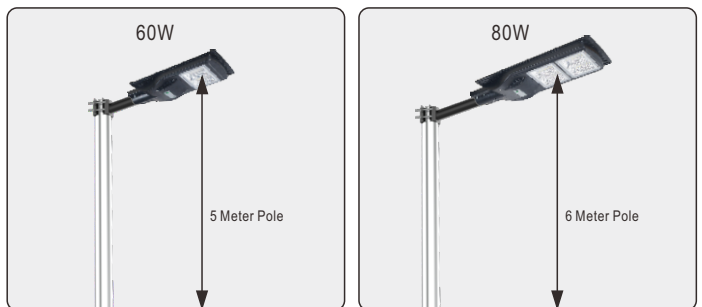
MOTION SENSOR INDUCTIVE RANGE DIAGRAM:

When install the solar light, please adjust the angle of the solar light. Please use the degree locator(screw) and adjust the sensor accordingly. Each degree (direction) will affect the coverage area of targeted location, so adjust accordingly for optimum performance.

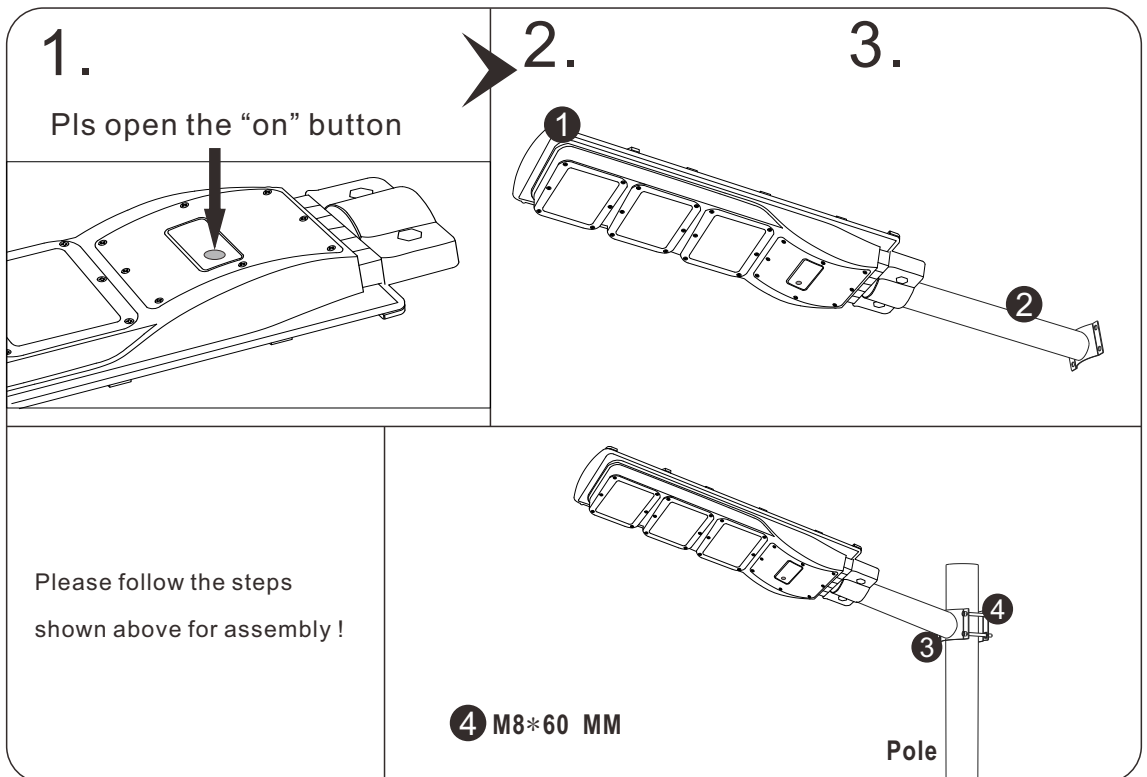
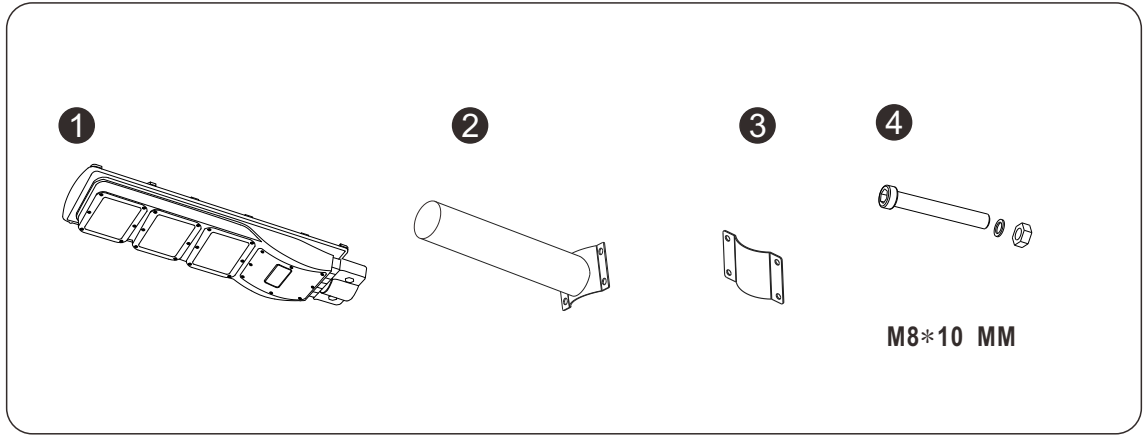


RECOMMENDED INSTALLATION HEIGHT:

According to the optical test results of our products, we will recommend different installation heights for different models of our products, but the actual installation heights should be changed according to your local sunshine.



INSTALLATION STEPS:



TROUBLESHOOTING:

If the light does not turn on at dusk after 6-8 hours of charging

- *Ensure that the solar light is in a bright sunny location and not in a shadow area during the daytime when charging.
- *Make sure that the light's photocell or solar panel is not affected by other light sources at night.
- *Make sure that the solar light fixture is turned ON.

WARRANTY CLAIM PROCEDURE

To begin the claims processing procedure, please go to: www.osmoledlighting.com or contact us at sale@osmoledlighting.com
1. Contact customer service to return the lighting fixture. Before sending an email, please be prepared to provide the following information:

- a) The part/model of the led solar street light.
- b) Date of your purchase
- c) Photos & descriptions of damaged part/model

2. Once the advises that you may return the product, you will need to ensure the following steps are adhered to:

- a) Each claim must be filed within 15 days of the date of the occurrence.
- b) A copy of the original sale receipts or return form for the lighting fixture must accompany the return.
- c) Along with a brief written description of how the damage occurred and reasonably describe any damage.
- d) Send the light fixture to the appropriate address below, freight to be borne by sender. Original purchaser assumes all shipping costs and assumes the risk of loss or damage occurring during shipping or handling of the lighting fixture.